

# HSF

**NOTES:**

Current Rating:10A  
 Voltage Rating:150V  
 Contact Resistance:8milliohm Max  
 Withstand Voltage:AC/DC 1000V  
 Insulation Resistance:500Megohm Min  
 Screw Torque: 2.0 lbf.in  
 Wire range: 16AWG-26AWG

Housing Material:PBT UL94V-0  
 Screw:Steel  
 Contact:Brass  
 Spring:SUS301

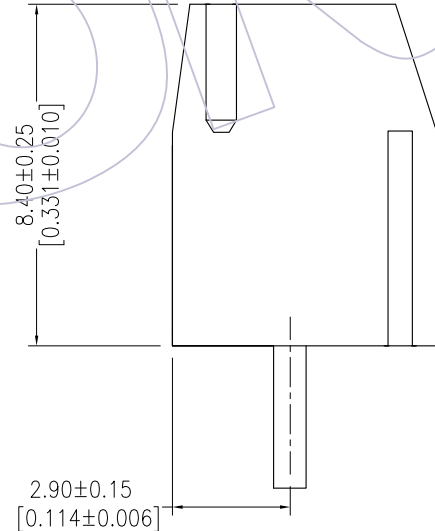
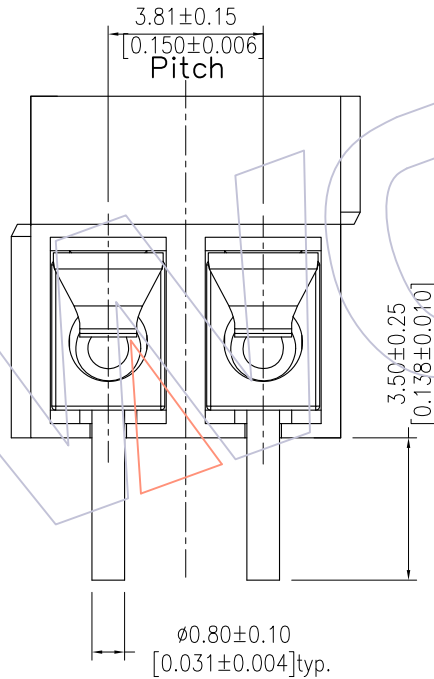
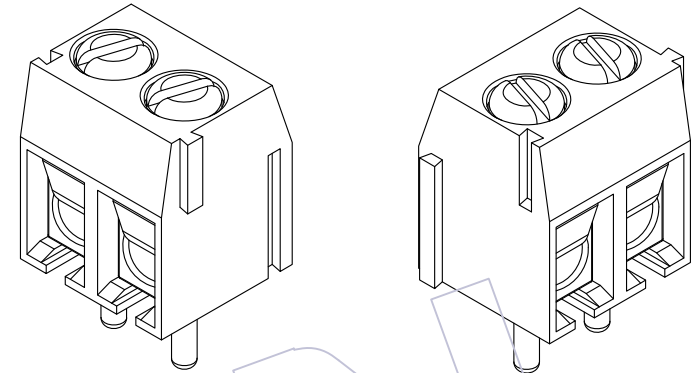
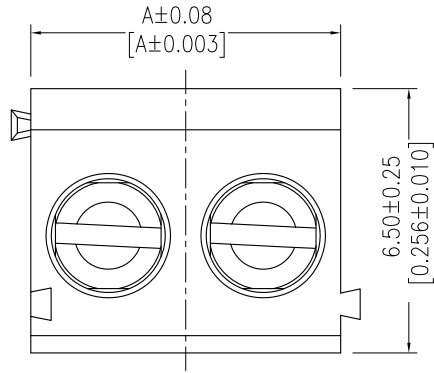
**Ordering Information:**

**A H 381 - 084 S XX U SN 1 N**

Pitch 381=3.81    Housing High 084=8.40    No.of Pins 02-20P    Color U=Blue    Contact Plated SN=Bright Tin

- NOTE:**
- 4P=2P+2P
  - 5P=2P+3P
  - 6P=3P+3P
  - 7P=2P+2P+3P
  - 8P=3P+3P+2P
  - 9P=3P+3P+3P
  - 10P=3P+3P+2P+2P
  - 11P=3P+3P+3P+2P
  - 12P=3P+3P+3P+3P
  - 13P=3P+3P+3P+2P+2P
  - 14P=3P+3P+3P+3P+2P
  - 15P=3P+3P+3P+3P+3P
  - 16P=3P+3P+3P+3P+2P+2P
  - 18P=3P+3P+3P+3P+3P+3P
  - 19P=3P+3P+3P+3P+3P+2P+2P
  - 20P=3P+3P+3P+3P+3P+3P+2P

PINS	DIM A
2P	7.62
3P	11.43



REV	DATE	MODIFICATION DESCRIPTION	CHANGE	OPERATION		DRAW	DATE	SCALE	FIT	PART NO.	WCON
				X.X	±0.40						
A1	16/12/14	ADD NOTE	△	X.XX	±0.25	CHECK	DATE	SIZE	A4	TITLE:	WCON-Dongguan
AO	13/01/14	NEW	—	X.XXX	±0.15	APPROVE	DATE	SHEET	1/1	3.81mm Pitch Euro Terminal Blocks With Wire Protection 180° DIP	WCON-Kunshan
REV	DATE	MODIFICATION DESCRIPTION	CHANGE	Angle	± 3'			PROJ.	⊕	Customer NO.	Tel: +86 769 85358920
				DIM	TOL						Tel: +86 512 57468408
											Fax: +86 769 85358915
											Fax: +86 512 57468468
											E-mail: sales@wcon.com
											E-mail: sales@wcon.com